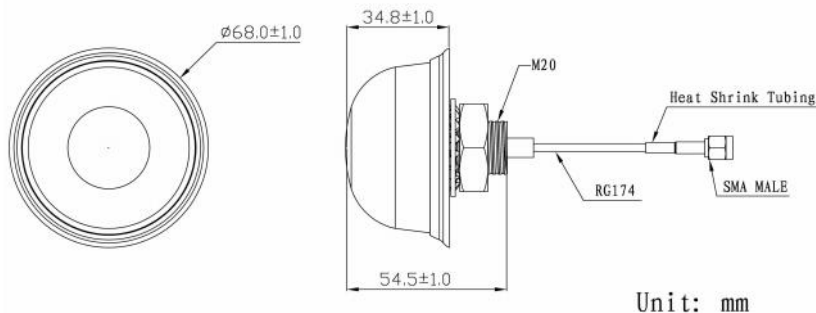




Product	3G Screw antenna	
P/N	GL-DY601	
Item	Specifications	
GSM Antenna	Frequency Range	824~960MHz/1710~2170MHz
	V.S.W.R	<2.0
	Polarization	Linear
	Gain	2.0dBi
	Impedance	50Ω
Mechanical	Cable	RG174
	Connector	SMA/MCX/FAKRA or others
	Material	Radome:ABS/Base:Cast Aluminum
	Mounting Method	Screw
Environmental	Operating Temperature	-40℃~+85℃
	Relative Humidity	Up to 95%
	Ingress Protection	IP67 (exclude cable outlet)
	Vibration	10 to 55Hz with 1.5mm amplitude 2hours
	Environmentally Friendly	ROHS Compliant

Drawing





Testing

