

Product Specifications

Product: GNSS+LTE MIMO Combo Antenna

PN: : GL312LM

Authorize	Audit	Approve
Xuegang Zhou	Yunfeng Wu	Shengming FU

GLOBAL EAST ASIA TECHNOLOGY CO.,LTD

Version	Date	Version description	Authorized	Audit	Approve
A	2018.12.25	New issue(samples by hand)	Xuegang Zhou	Yunfeng Wu	Shengming Fu

Add: Room 816-818, Block B,BLDG 18, University Science Park(East), Zhengzhou City,P.R.Henan,China. Zip Code: 450051

Tel: 86-371-60911368 **Email:** info@global-antenna.com

GLOBAL EAST ASIA TECHNOLOGY CO.,LTD

1、Electronic index

1.1 ceramic (Antenna)

Item		data
1	Frequency	L1 B1 G1
3	Polarization	RHCP
4	Gain	3dBic@PCB(zenith)
5	Impedance	50 Ω
6	Return loss	<-15dB

1.2 (LNA)

Item		data
2	Work voltage	3~5.5V
3	Work current	≤20mA
4	Gain	28±3dB
5	Noise figure	≤1.5dB
6	V.S.W.R	≤2.0

1.3 LTE Antenna

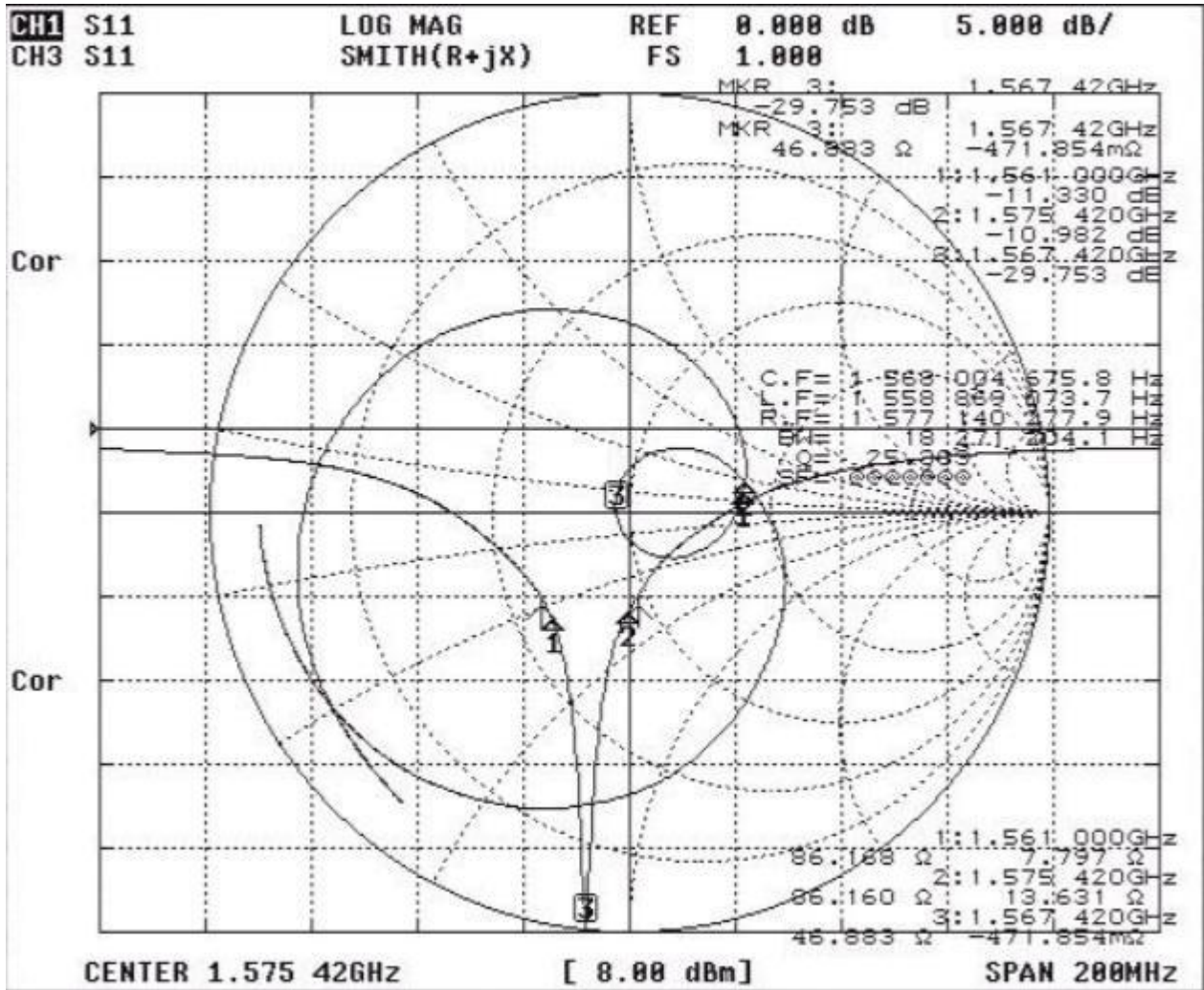
Item		规格要求
1	Work Voltage	698~960/1710~2690MHz
2	V.S.W.R	≤3 (min)
3	Polarzation	Liner
4	Gain	2dBi
5	Impedance	50 Ω

1.4 antenna system

Item		data
1	Cable	RG174
2	Connector	FAKRA
3	Mounting	3M adhesive
4	Radome	PC+ABS

GLOBAL EAST ASIA TECHNOLOGY CO.,LTD

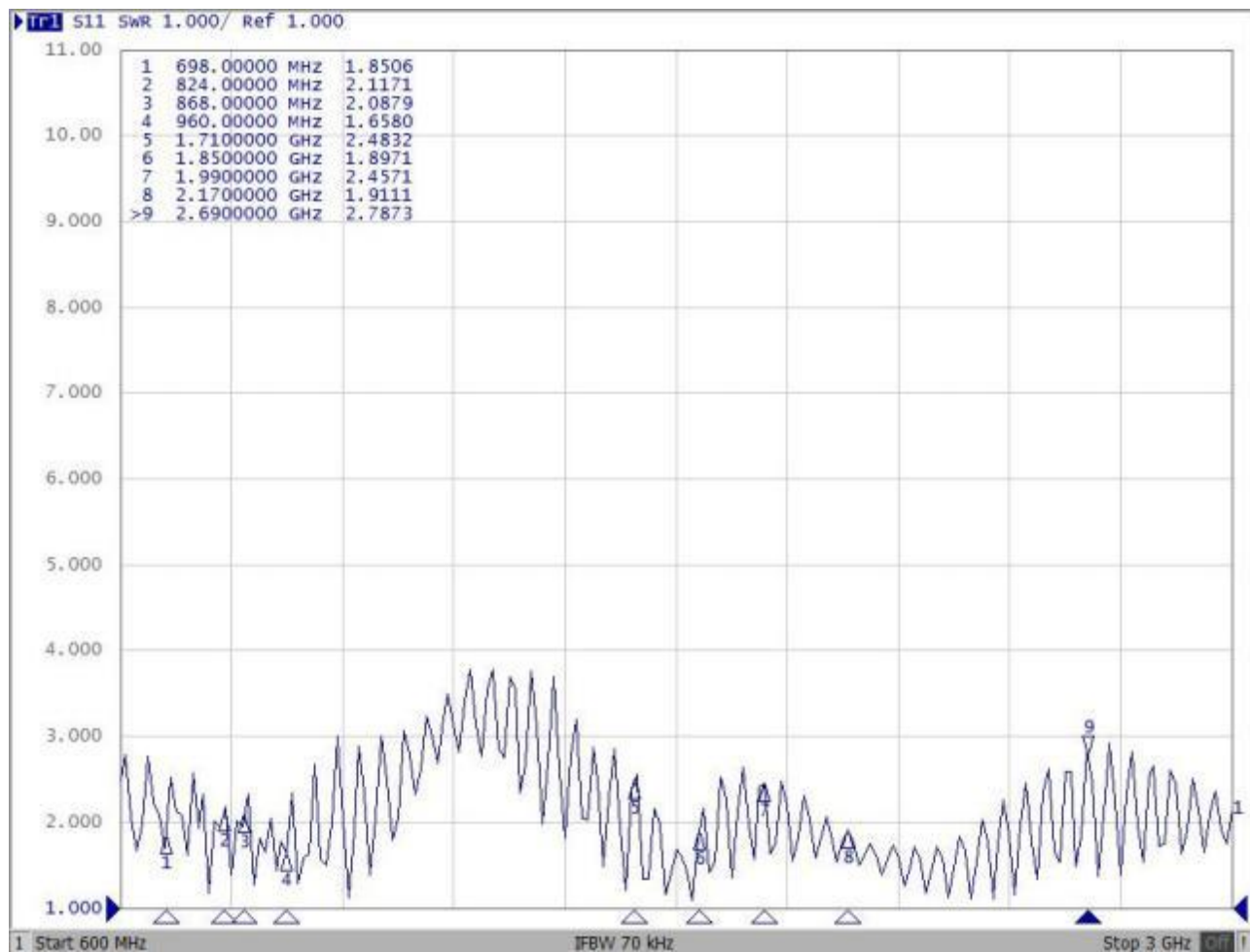
2、Testing



Testing itme	Data	Actual data
Band Width	CF±5MHz	14.42MHz
Impedance	50 Ω	46.68 Ω
Return loss	<-15dB	-29.75dB

GLOBAL EAST ASIA TECHNOLOGY CO.,LTD

4、LTE Testing 1



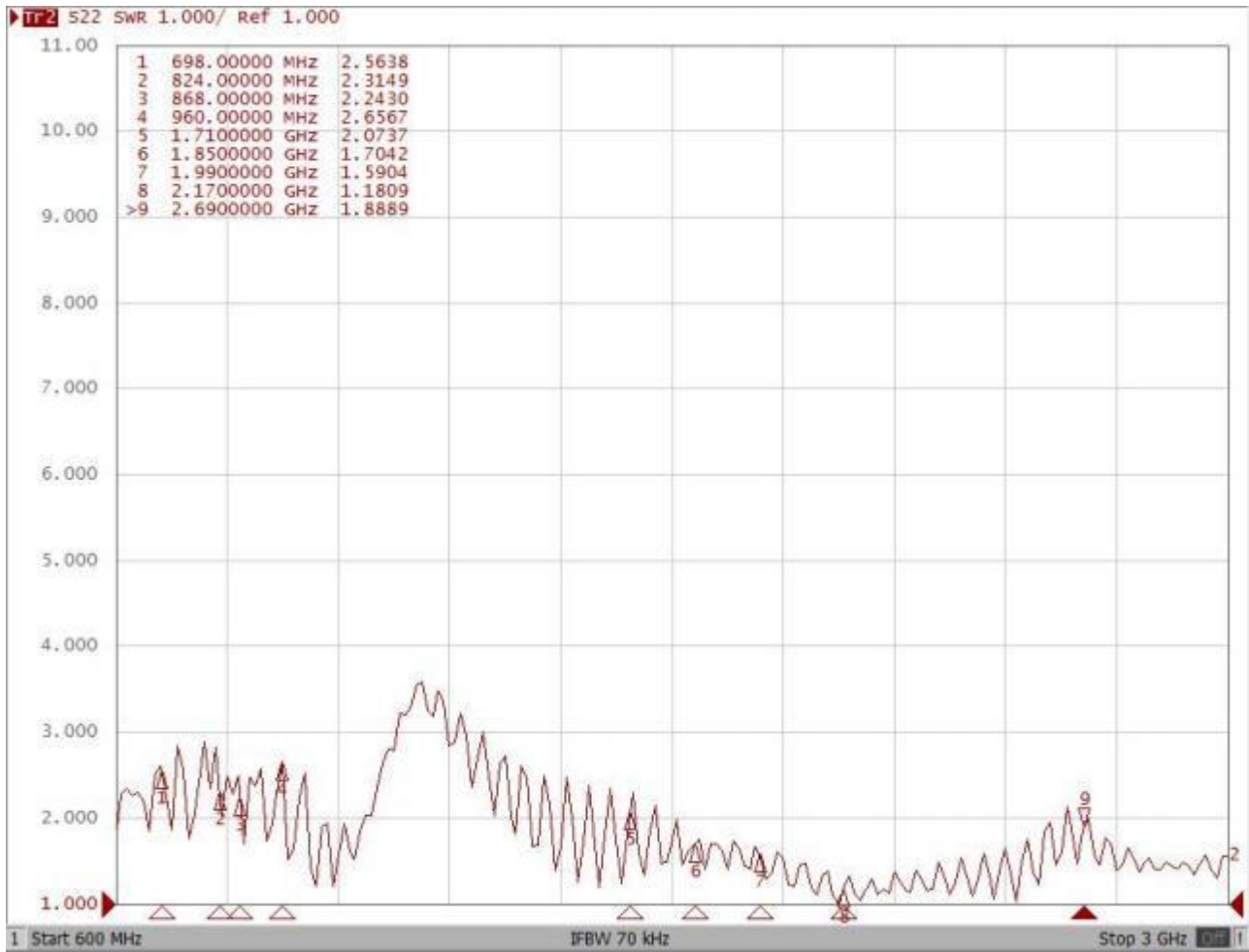
Add: Room 816-818, Block B,BLDG 18, University Science Park(East), Zhengzhou City,P.R.Henan,China. Zip Code: 450051

Tel: 86-371-60911368

Email: info@global-antenna.com

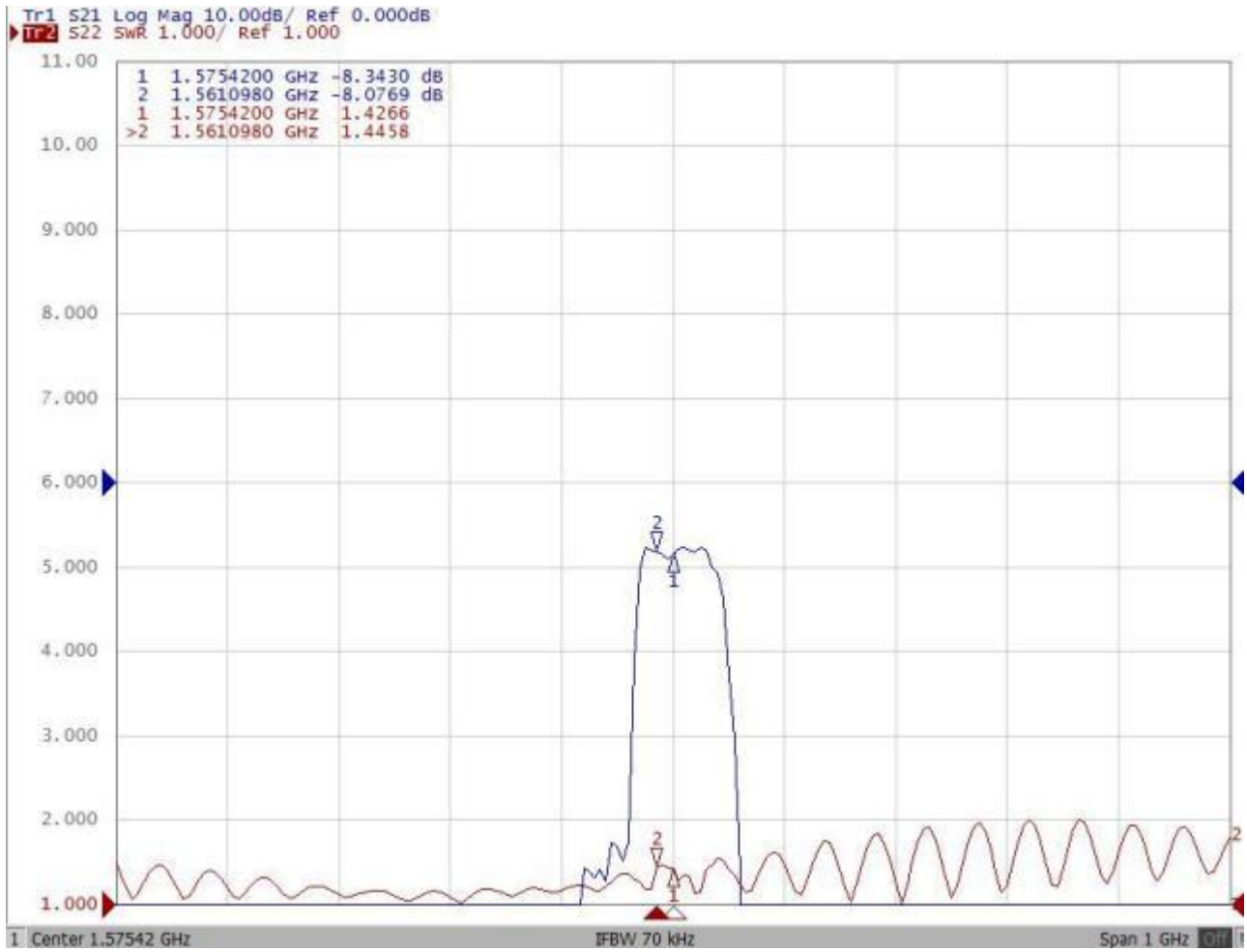
GLOBAL EAST ASIA TECHNOLOGY CO.,LTD

LTE Testing 2



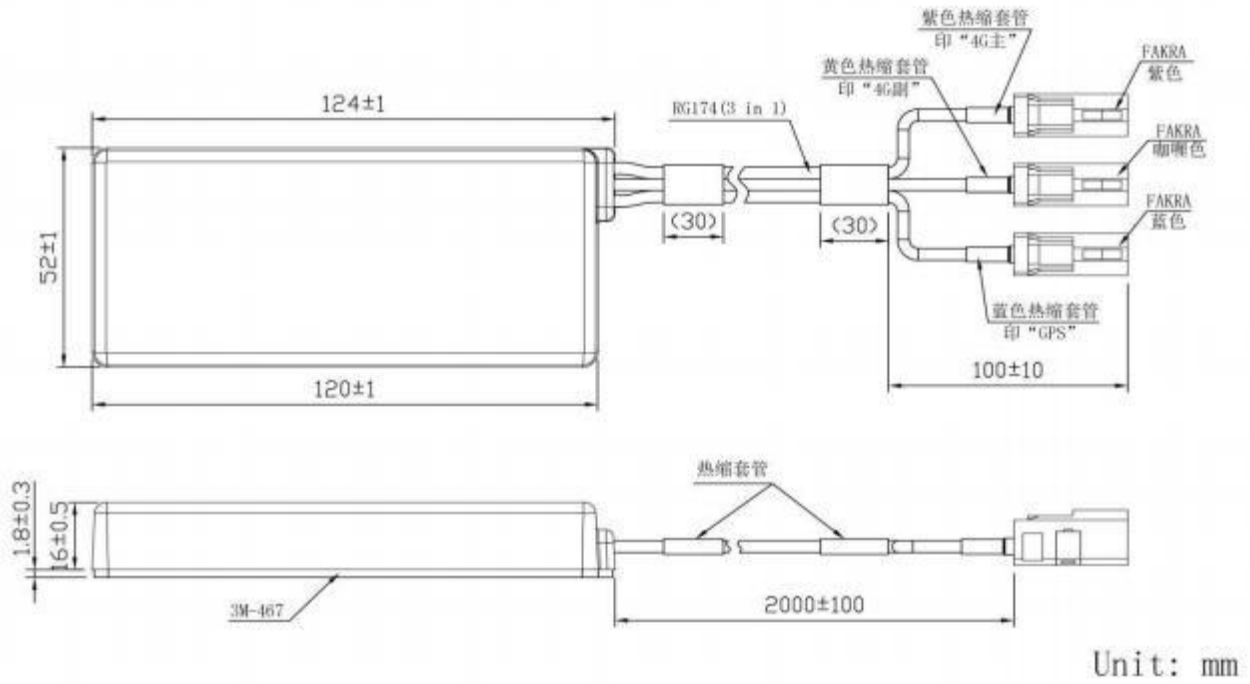
Test item	Data request	Actual data LTE 1	Actual data LTE 2
Work frequency	698~960/1710~2690 MHz	Accord with	Accord with
V.S.W.R	≤3(min)	Accord with	Accord with

5、GNSS testing

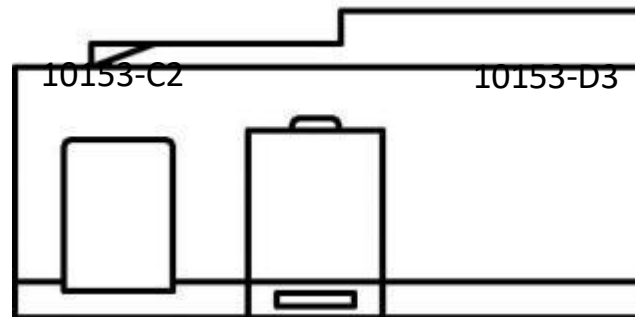


Test item	Data request	Actual data		
Work frequency	1561.098-1602MHz	1561MHz	1575MHz	
V.S.W.R	≤2.0	1.45	1.43	

6、Product outline drawing:



7、RFID connector:



7、Package solution

