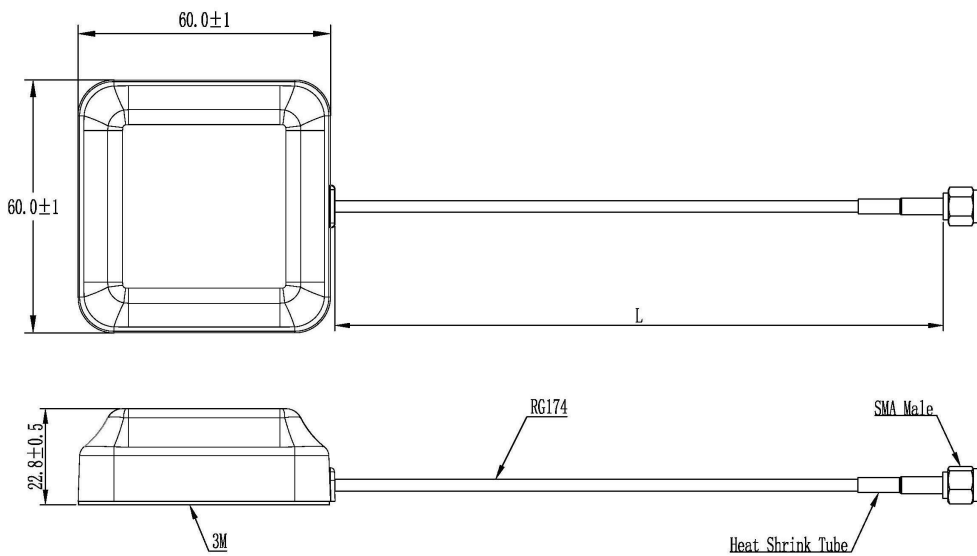




P/N: GL231



Unit: mm



GLOBAL EAST ASIA TECHNOLOGY CO., LIMITED
<https://www.global-antenna.com>

Item		Specifications
Antenna	Frequency	GPS L1/L2 GLONASS G1/G2/G3 COMPASS B1/B2/B3 Galileo E1/L1/E2/E5b
	Polarization	RHCP
	Axial Ratio(min)	≤3dB
	V.S.W.R	≤2.0
	Peak Gain	≥2dBi
	Impedance	50Ω
	Horizontal coverage angle	360°
LNA	Gain	28±2dB
	Noise Figure	≤1.5dB
	Pass band fluctuation	±1.5dB
	Supply Voltage	3~12V DC
	Current Consumption	≤50mA
	V.S.W.R	≤2.0
Mechanical	Connector	SMA or others
	Cable	RG174 or others
	Mounting Method	Magnet/Adhesive
Environmental	Operating Temperature	-40℃~+85℃
	Relative Humidity	Up to 95%
	Ingress Protection	IP66
	Vibration	10 to 55Hz with 1.5mm amplitude 2hours
	Environmentally Friendly	ROHS Compliant