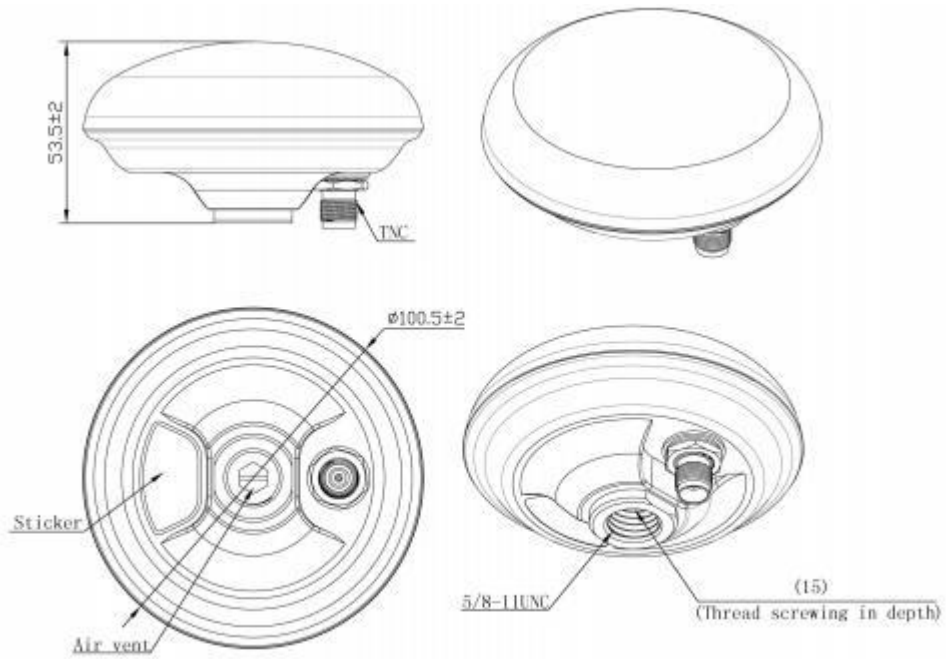


GNSS Surveying Antenna GL208



DIMENSIONS



Unit:mm

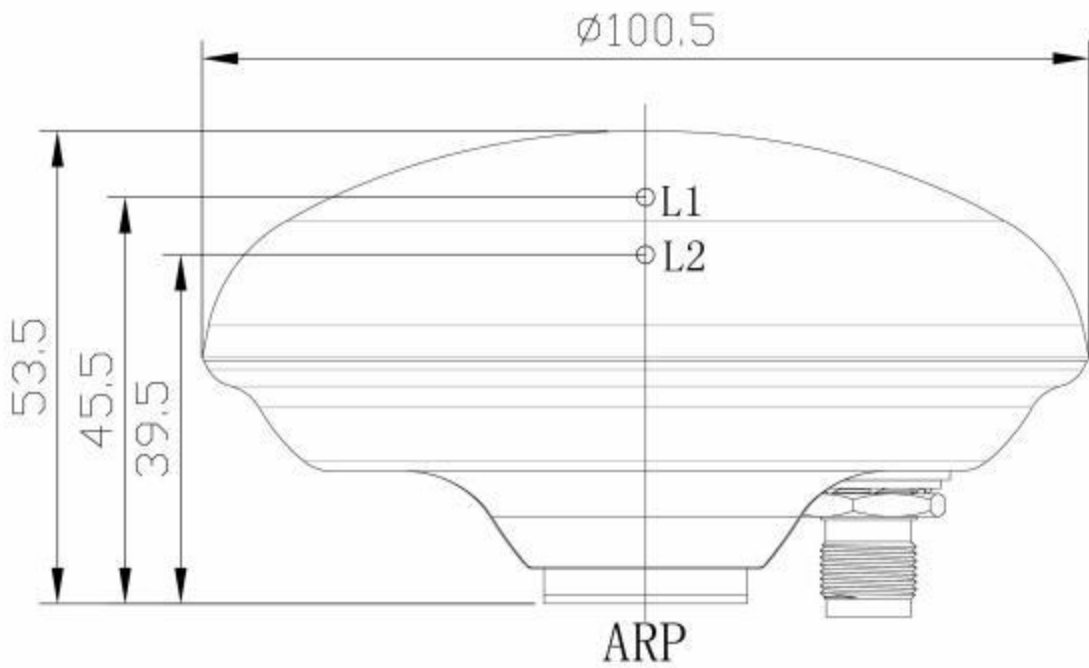
SPECIFICATIONS

Item	Specifications	
Antenna	Frequency	GPS L1/L2/L5 GLONASS G1/G2/G3 COMPASS B1/B2/B3 Galileo E1/L1/E2/E5a/E5b/E6
	Polarization	RHCP
	Axial Ratio	≤3dB
	V.S.W.R	≤1.5
	Peak Gain	≥4dBi
	Impedance	50 Ω
	Phase Center Error	±2mm
	Horizontal coverage angle	360°
LNA	Gain	40±2dB
	Noise Figure	≤2.0dB
	Passband fluctuation	±1.5dB
	Supply Voltage	3~16V DC
	Current Consumption	≤60mA
	V.S.W.R	≤2.0
Mechanical	Connector	TNC-K
	Radome Material	ASA
	Mounting Method	Screw
Environmental	Operating Temperature	-40℃~+85℃
	Relative Humidity	Up to 95%
	Ingress Protection	IP67 (exclude Air vent in screw hole)
	Environmentally Friendly	ROHS Compliant

Add: Room 816-818, Block B,BLDG 18, University Science Park(East), Zhengzhou City,P.R.Henan,China. Zip Code:450051

Tel: 86-371-60911368 **Email:** info@global-antenna.com

Antenna Reference Point&Phase Center



Mechanical Offsets Units in “mm”

Add: Room 816-818, Block B,BLDG 18, University Science Park(East), Zhengzhou City,P.R.Henan,China. Zip Code:450051

Tel: 86-371-60911368 Email: info@global-antenna.com